

VTX V20

High Performance Dual 10" Line Array Element



Key Features:

- D2415K D2 Dual Diaphragm Dual Voice Coil Compression Driver
- Integral mid/high waveguide provides precise vertical wavefront coupling and optimal 105 degree horizontal coverage
- Variable curvature line source array (0-12.5 degrees) with enhanced long throw resolution
- Versatile, highly-ergonomic Angle Stop Mechanism (ASM) suspension system allowing tension or compression suspension
- Switchable Quad- or Bi-Amplified 3-Way system operation
- BSS® Audio OmniDriveHD V5 Processing for use with Crown Audio I/TechHD or VRack and control via JBL HiQnet Performance Manager™
- Optimized for deployment with the dual-15" VTX S25 cardioid-arrayable subwoofer either separately or suspended in the same array
- In addition to stand-alone applications, V5 presets perfectly integrate VTX V20 and S25 as supporting elements of a VTX V25-II or VTX F Series system

Specifications:

System	
Frequency Range (-10 dB):	60 Hz - 20 kHz (short throw mode, free field)
Coverage Pattern (-6dB)	105 degrees nominal (315 Hz - 16 kHz)
Horizontal:	Varies with array size and configuration (0-12.5 degree inter-enclosure angles)
Vertical:	
System Input Power Rating ¹ :	
Active	LF: 2 x 600 W Continuous, 2 x 2400 W Peak (AES / 2 hour) MF: 550 W Continuous, 2200 W Peak (AES / 2 hour) HF: 315 W Continuous, 1260 W Peak (AES / 2 hour)
2W Passive	LF: 1180 W Continuous, 4720 W Peak (AES / 2 hour) MF/HF: 550 W Continuous, 2200 W Peak (AES / 2 hour)
Bandpass Sensitivity:	
Active	LF: 93 dB, 1W / 1m (2.0 Vrms at 3.3 ft) free field MF: 100 dB, 1W / 1m (2.83 Vrms at 3.3 ft) HF: 111 dB, 1W / 1m (2.83 Vrms at 3.3 ft)
2W Passive	LF: 111 dB, 1W / 1m (2.83 Vrms at 3.3 ft) MF/HF: 108 dB, 1W / 1m (2.83 Vrms at 3.3 ft)
Maximum Peak Output ² :	
Active	130 dB SPL (LF), 133 dB SPL (MF), 142 dB SPL (HF) free field
2W Passive	129.5 dB SPL (LF), 141 dB SPL (MF/HF) free field
Required Amplification & Processing:	Crown® I-TechHD or VRack power amplification JBL HiQnet Performance Manager system control
System Impedance:	
Active	LF: 2 x 8 ohms MF: 1 x 8 ohms HF: 1 x 8 ohms
Passive	LF: 1 x 16 ohms MF/HF: 1 x 8 ohms

Footnotes:

1: AES Standard, one decade pink noise with 6 dB crest factor within device's operational band, free air.
2: Calculated maximum SPL based on rated peak power and measured sensitivity.

JBL continually engages in research related to product improvement. Some materials, production methods and design refinements are introduced into existing products without notice as a routine expression of that philosophy. For this reason, any current JBL product may differ in some respect from its published description, but will always equal or exceed the original design specifications unless otherwise stated.



Description:

The VTX V20 is a compact, high-output line array element designed to deliver high fidelity sound reinforcement in a wide variety of applications. Patented D2 Dual Diaphragm Dual Voice Coil and Differential Drive® LF transducer technologies employed in VTX V25-II and the JBL M2 Master Reference Monitor along with BSS® Audio OmniDrive HD V5 processing provide uncompromised sound quality, while VTX V20's flexible suspension system ensures efficient transport, fast setup and precise configuration.

Transducers

Low Frequency:	Two 2261H, 254 mm (10 in) dia., 76 mm (3 in) dia. dual coil, Neodymium Differential Drive®, Direct Cooled™
Mid Frequency:	Four 2164H, 130 mm (5 in) dia., 51 mm (2 in) single coil, Ultra Linear Motor
High Frequency:	Three 2415K D2 Dual Diaphragm Dual Voice Coil Compression Driver; two 38 mm (1.5 in) dia. voice coils; 21 mm (0.8 in) exit

Enclosure

Construction:	Cast aluminum front baffles and HF waveguide; 18 mm, 11-ply Finnish birch plywood; black DuraFlex™ finish; integral recessed handles
Suspension:	Captive hinge bars and Quick Release Pins with Cam-wheel Angle Stop Mechanism. System can be deployed in tension (fixed angle) or compression mode. 0, 0.5, 0.75, 1, 1.5, 2, 2.5, 3, 4, 5, 7.5, 10, 12.5 degree inter-enclosure angles
Grille:	Powder coated 14 gauge hex-perforation steel with acoustically-transparent black cloth backing
Input Connectors:	
Active Mode:	Neutrik® Speakon® NL-8 (2x) : Pins 1+/- LF1, Pins 2+/- LF2, Pins 3+/- MF, Pins 4+/- HF
Passive Mode:	Neutrik® Speakon® NL-4 (2x) : Pins 1+/- LF1+LF2, Pins 2+/- MH Neutrik® Speakon® NL-8 (2x) : Pins 1+/- Thru, Pins 2+/- Thru, Pins 3+/- LF1+LF2, Pin 4+/- MH
Dimensions (H x W x D):	279.9 x 911.4 x 402.2mm (11.0 x 35.9 x 15.8 in)
Net Weight:	40.0 kg (88.0 lb)

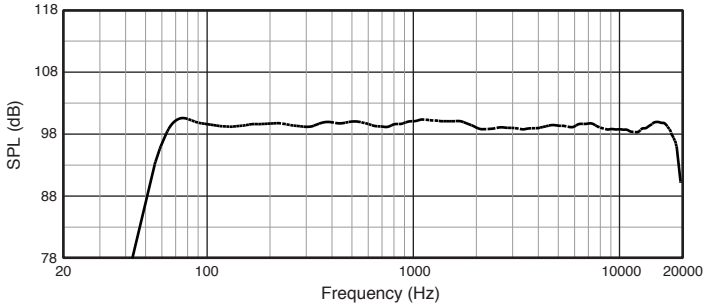
VTX V20

High Performance Dual 10" Line Array Element



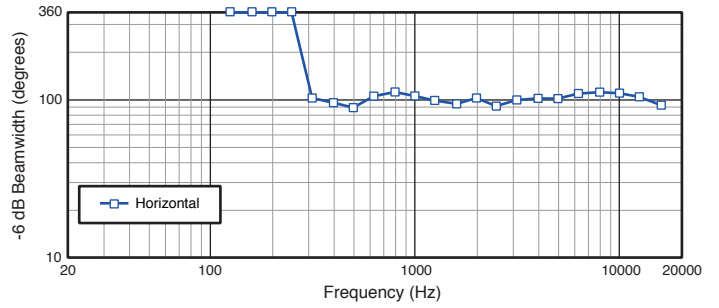
Acoustical Measurements

Frequency Response with Recommended Digital Signal Processing
Preset: VTX V20 60 ST

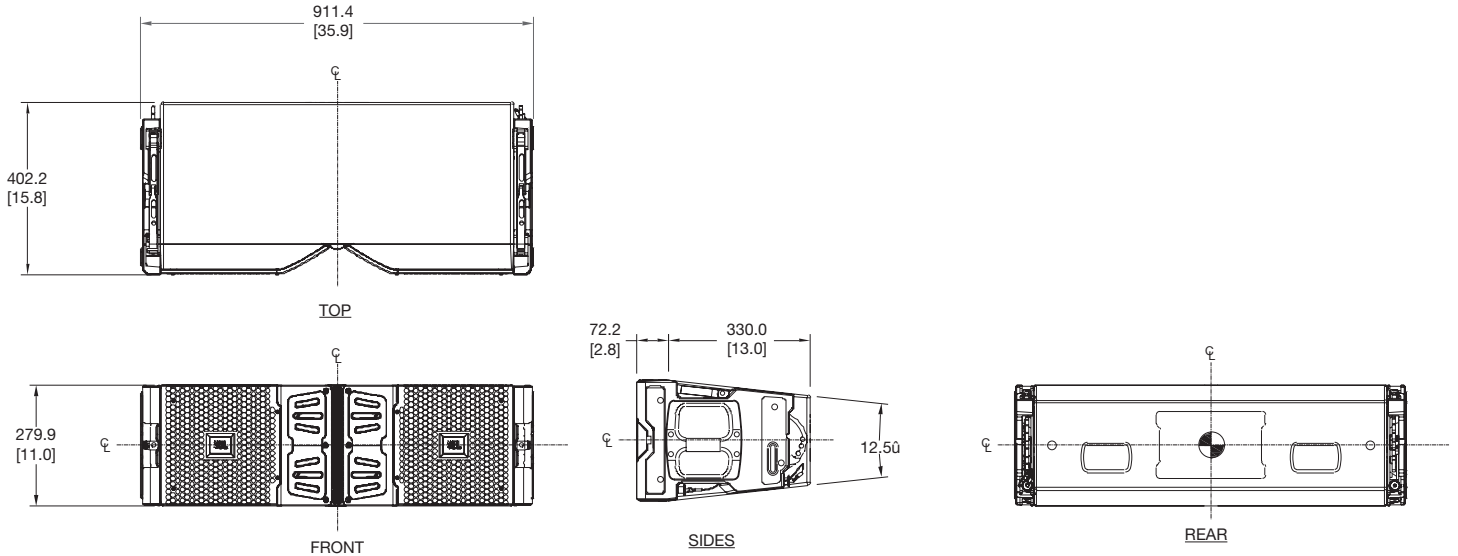


Beamwidth

-6dB Horizontal Coverage



Dimensions



Accessories

- VTX-LZ-K
- VTX-LZ-V20-MB

